



شركة مصنع عالم الناصريه المحدودة

AL NASSERIAH WORLD FACTORY COMPANY LTD

ROUND CEILING DIFFUSER



ROUND CEILING DIFFUSER

ANA Round Ceiling Diffusers :

Is designed for supplying or returning air, commonly used in Ceiling air distribution applications. Basically constructed from a frame, a fully removable core and a flower in the middle of the core.



ANA RCD Construction

Frame :

Constructed from Aluminum Sheet alloy **6063**, manufactured in a round shape to give a unique architectural design .

Core :

Constructed from Aluminum sheet alloy **6063** , designed to give a full 360°spread for better air distribution. fixed to the frame using mullion bars and arranged with Fixed distances between each two blades necks.

Dampers:

Can be added if required. Butterfly Damper (**RAL 9005**) type attached to the top side of the Diffuser by rivets.

Finish :

Electrostatic powder coating is used for RCD with standard white color for the Frame and the cores (**RAL 9016**) and black color for the damper (**RAL 9005**) and other colors are available upon the request.

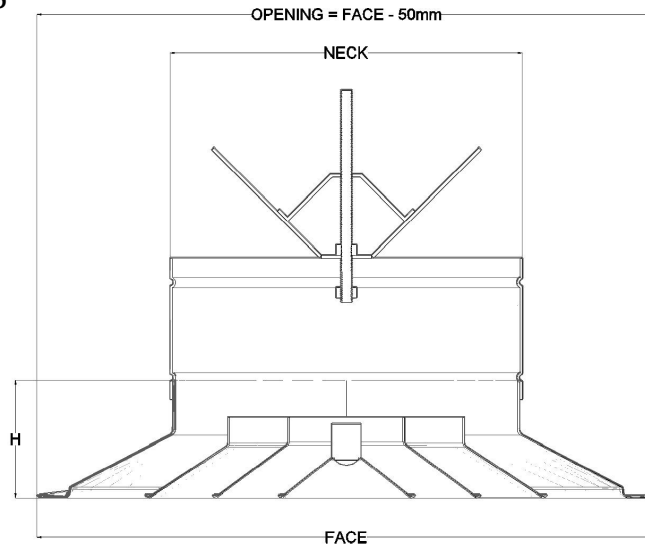
Sizes :

6", 8", 10", 12", 14", 16" and 18"

ROUND CEILING DIFFUSER

ANA Supply Round Ceiling Diffuser

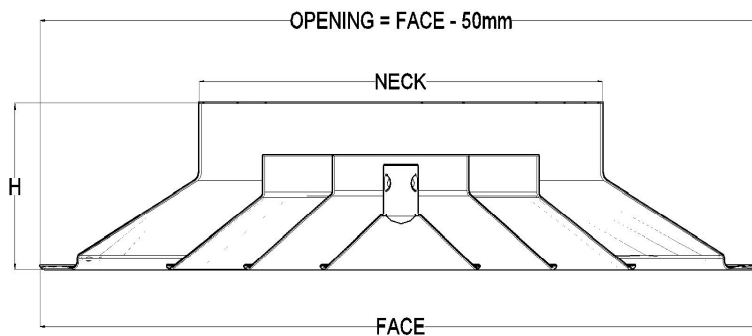
Model : NRCDS



- Air Discharge are in a round shape for huge spread (**360°**) in all directions.
- The frame and the core are made from aluminum sheet **6063**.
- Volume damper (Butterfly Damper) is attached to the neck and can be controlled by the screw after removing the core.

ANA Return Round Ceiling Diffuser

Model : NRCDR

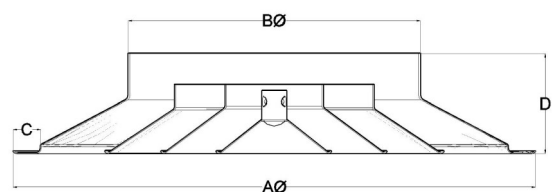


- Air Discharge are in a round shape for huge spread (**360°**) in all directions.
- The frame and the core are made from aluminum sheet **6063**.

ANA Round Ceiling Diffuser Dimensions:

Dimensions (mm)

SIZE	A	B	C	D
150 Ø	342	147	25	85
200 Ø	394	199	25	85
250 Ø	444	249	25	85
300 Ø	494	299	25	85
350 Ø	545	350	25	85
400 Ø	596	401	25	85
450 Ø	657	462	30	85



ROUND CEILING DIFFUSER

ANA Round Ceiling Diffuser Performance Data:

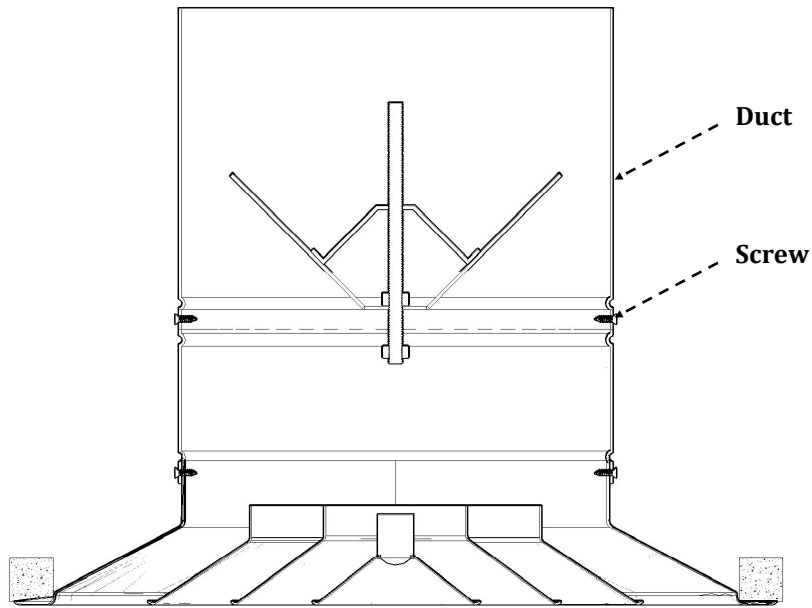
Model : NRCD

Size (mm)	Effective Area (m ²)	Data	AIR VOLUME (m ³ /h)												
			200	300	400	500	600	700	800	900	1000	1400	2000	2500	3000
150	0.011	V _k (m/s)	3.7	5.8	7.8	-	-	-	-	-	-	-	-	-	-
		P _t (pa)	15	36	63	-	-	-	-	-	-	-	-	-	-
		L _t (m)	0.7	1.15	1.4	-	-	-	-	-	-	-	-	-	-
		NC	25	38	48	-	-	-	-	-	-	-	-	-	-
200	0.020	V _k (m/s)	2.1	3.2	4.2	5.2	6.1	7.3	-	-	-	-	-	-	-
		P _t (pa)	4.7	10	19	29	40	56	-	-	-	-	-	-	-
		L _t (m)	-	0.8	1.15	1.35	1.7	1.9	-	-	-	-	-	-	-
		NC	-	22	31	38	45	52	-	-	-	-	-	-	-
250	0.031	V _k (m/s)	-	2.2	2.8	3.5	4.2	4.9	5.6	6.2	7.2	-	-	-	-
		P _t (pa)	-	5.1	7.9	13	19	26	25	43	53	-	-	-	-
		L _t (m)	-	0.65	0.85	1.15	1.4	1.6	1.8	2.1	2.4	-	-	-	-
		NC	-	-	21	27	33	38	44	47	50	-	-	-	-
300	0.046	V _k (m/s)	-	-	2.0	2.5	3.0	3.5	4.0	4.5	5.0	7.0	-	-	-
		P _t (pa)	-	-	4.2	6.5	9	13	17	22	26	51	-	-	-
		L _t (m)	-	-	0.72	0.92	1.1	1.35	1.5	1.7	1.8	2.7	-	-	-
		NC	-	-	-	-	24	29	34	37	42	-	-	-	-
350	0.055	V _k (m/s)	-	-	-	-	2.2	2.6	3.0	3.4	3.7	5.2	-	-	-
		P _t (pa)	-	-	-	-	5.1	7.3	9	12	15	29	75	-	-
		L _t (m)	-	-	-	-	0.9	0.9	1.4	1.5	1.6	2.4	5.9	-	-
		NC	-	-	-	-	-	-	26	30	37	45	52	-	-
400	0.070	V _k (m/s)	-	-	-	-	-	2.5	3	3.5	4	4.5	5	6	
		P _t (pa)	-	-	-	-	-	5	7.5	10	12	16	22	51	
		L _t (m)	-	-	-	-	-	1	1.7	2	2.5	3	3.7	4	
		NC	-	-	-	-	-	20	20	24	32	37	42	50	
450	0.089	V _k (m/s)	-	-	-	-	-	-	2.5	3	3.5	4	4.5	5	6
		P _t (pa)	-	-	-	-	-	-	5	8	11	13	15	27	58
		L _t (m)	-	-	-	-	-	-	1	1.7	2	2.5	3	3.7	4.5
		NC	-	-	-	-	-	-	-	20	24	28	33	42	52

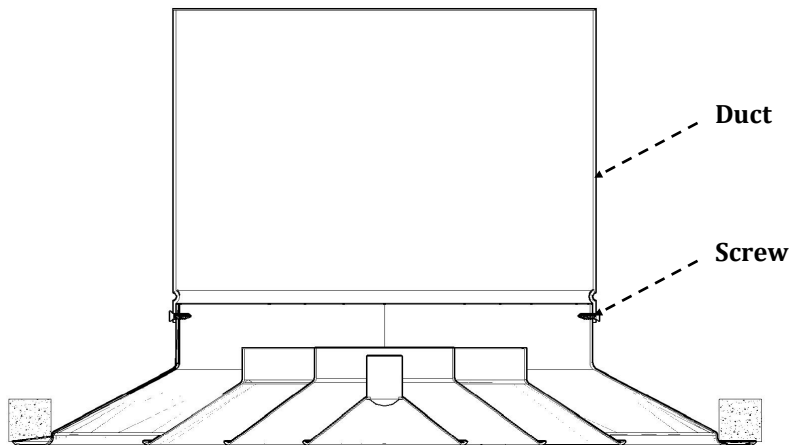
* Velocity - V_k (m/s), Pressure drop - pa (Pascal), Radius of diffusion - Meter (m), Noise criteria at 10dB attenuation

ROUND CEILING DIFFUSER

ANA Round Ceiling Diffuser Installation:



ROUND CEILING DIFFUSER SUPPLY - By Screw



ROUND CEILING DIFFUSER RETURN - By Screw