



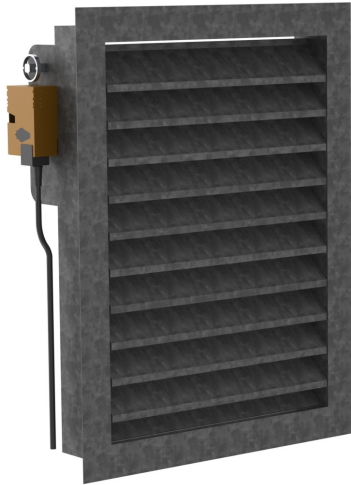
شركة مصنع عالم الناصريه المحدودة  
AL NASSERIAH WORLD FACTORY COMPANY LTD

## **FIRE DOOR LOUVER**



### ANA Fire Door Louver :

Combination of fire damper and louver is developed to be used as transfer or exhaust louver which can be installed on fire rated walls or doors and to close in case of fire or smoke using UL listed Spring Return Actuator or Spring loaded fusible link mechanism.



Motorized Fire Door Louver



Mechanical Fire Door Louver

### ANA FDL Construction

#### Frame :

Constructed from Galvanized Steel sheet with a thickness of **(18 Gauge)** and other thicknesses are available.

#### Blade :

Constructed from Steel sheet with a thickness of **(16 Gauge)** with 30° louver shaped movable blades.

#### Operation Mechanism :

In case of fire or smoke using UL listed Spring Return Actuator for Motorized Fire Door Louver and In case of fire using Spring loaded fusible link mechanism for Mechanical Fire door Louver.

#### Fusible link :

Motorized Fire Door louvers are operated by Electronic fusible link and Mechanical Fire Door Louvers are operated by Mechanical Fusible link.

#### Finish :

Mill finish and other colors are available upon request from the customer.

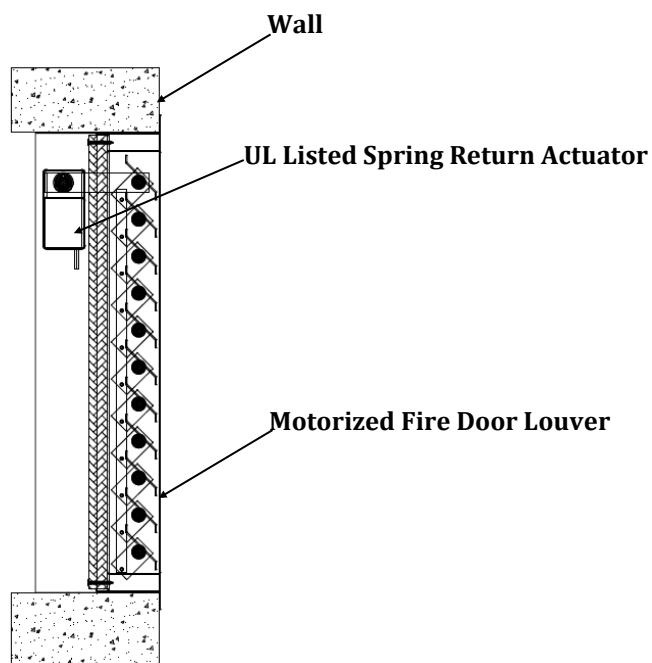
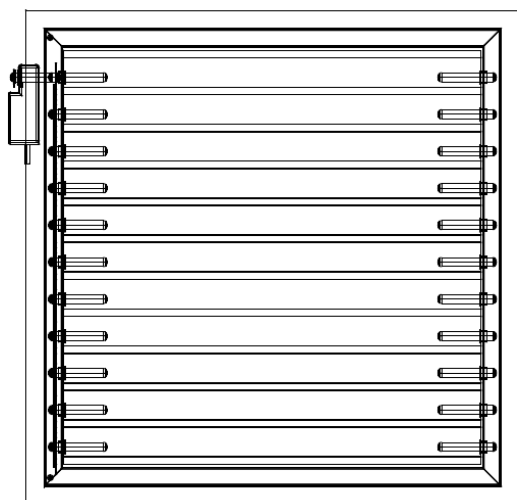
## FIRE DOOR LOUVER (NFDL)

### ANA Fire Door Louver Performance Data:

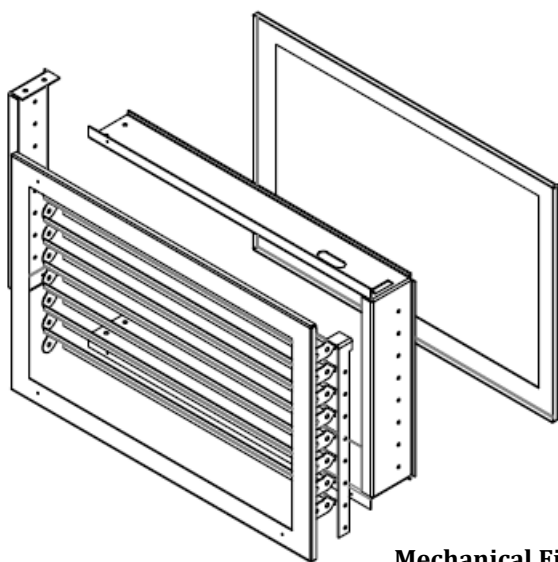
Size W x H (INCH)	Area Factor Ak (Ft <sup>2</sup> )	Face Velocity (FPM)	175	200	225	250	300	325	350	375	415
		Neg SP (In. Wg)	0.02	0.025	0.027	0.03	0.035	0.04	0.05	0.06	0.065
18x6, 10x10, 12x8	0.7	Air Flow (cfm)	120	135	157	170	212	225	240	265	265
		NC	<16	<16	18	21	27	29	30	31	34
20x6, 12x10, 14x8	0.83	Air Flow (cfm)	140	165	183	207	245	265	287	310	325
		NC	<16	<16	16	18	26	29	31	32	34
22x6, 16x8, 14x10	0.9	Air Flow (cfm)	158	180	203	225	270	293	315	338	360
		NC	<16	16	21	25	29	33	37	42	47
18x8, 16x10	1	Air Flow (cfm)	175	200	225	250	300	325	350	375	400
		NC	<16	<16	16	19	28	29	31	32	35
18x10, 14x12	1.25	Air Flow (cfm)	219	250	281	313	375	406	438	469	505
		NC	<16	16	18	23	30	32	34	36	39
24x8, 20x10, 16x12, 14x14	1.4	Air Flow (cfm)	245	280	315	350	420	455	490	525	565
		NC	<16	18	22	26	33	34	36	38	40
14x12, 16x14	1.5	Air Flow (cfm)	263	300	338	375	450	488	525	563	613
		NC	18	20	23	27	33	34	36	39	42
24x10, 20x12, 18x14, 16x16	1.7	Air Flow (cfm)	298	340	383	425	510	553	595	638	700
		NC	20	22	26	30	36	38	40	41	44
24x12, 20x14, 18x16	2	Air Flow (cfm)	350	400	450	500	600	650	700	750	800
		NC	18	21	24	28	34	36	38	40	43
24x14, 20x16, 18x18	2.3	Air Flow (cfm)	403	460	518	575	690	748	805	863	950
		NC	18	21	22	27	33	35	37	40	43
24x16, 20x18	2.6	Air Flow (cfm)	455	520	585	650	780	845	910	975	1075
		NC	18	20	22	26	32	34	38	39	42
20x16, 24x18, 22x20	3	Air Flow (cfm)	525	600	675	750	900	975	1050	1125	1225
		NC	16	18	22	26	31	33	36	38	40
24x20	3.3	Air Flow (cfm)	578	660	743	825	990	1073	1155	1238	1350
		NC	<16	18	24	28	32	37	42	48	>50
24x24	4	Air Flow (cfm)	700	800	900	1000	1150	1300	1400	1500	1650
		NC	<16	18	20	23	27	31	34	38	44

## FIRE DOOR LOUVER (NFDL)

### ANA Motorized Fire Door Louver



### ANA Mechanical Fire Door Louver



Mechanical Fire Door Louver



Fire rated door

