



شركة مصنع عالم الناصريه المحدودة

AL NASSERIAH WORLD FACTORY COMPANY LTD

## DUCT ACCESS DOORS



## DUCT ACCESS DOORS

### ANA Duct Access Door :

Designed to access the ducts and smooth the way for internal components of HVAC system, the access door is installable to the duct without any leakage while in closed position.



NDAD-CH



NDAD-CC

### ANA DAD Construction

#### Case :

Constructed from galvanized steel sheet **G90**, with a thickness of (**gauge 20**), rubber gasket between the door and frame to assure a tight seal to avoid the leakage of air.

#### Insulation :

Fiber Glass with a thickness of (**25 mm**) and a density of (**24 Kg/m<sup>3</sup>**) for noise absorption, other thicknesses and densities are available.

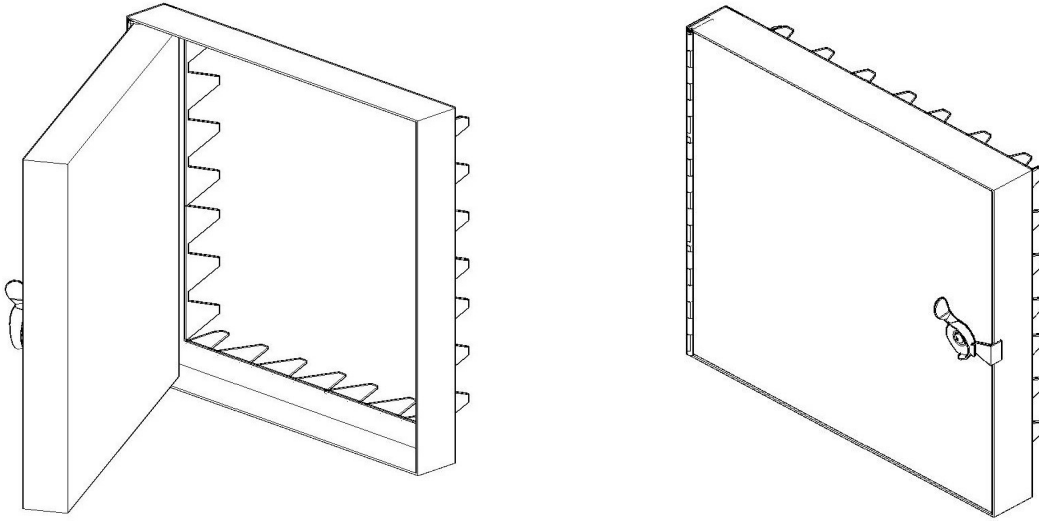
#### Finish :

Mill galvanized steel **G90**.

## DUCT ACCESS DOORS

### ANA Hinged Duct Access Door

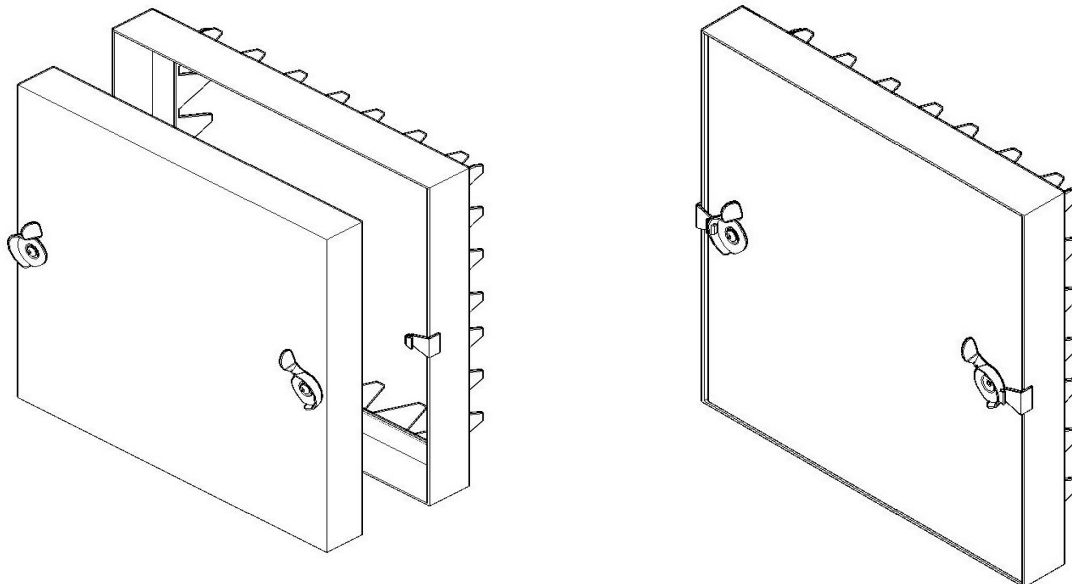
Model : NDAD-HC



- Constructed from galvanized steel sheet **G90**, with a thickness of (**gauge 20**).
- One side hinge the other side cam lock for full closer and easy operation (standard will be with one cam lock and the number of cam lock will increase based on the size ).
- Fiber Glass with a thickness of (**25 mm**) and a density of (**24 Kg/m<sup>3</sup>**) for noise absorption, other thicknesses and densities are available.

### ANA Cam Duct Access Door

Model : NDAD-CC

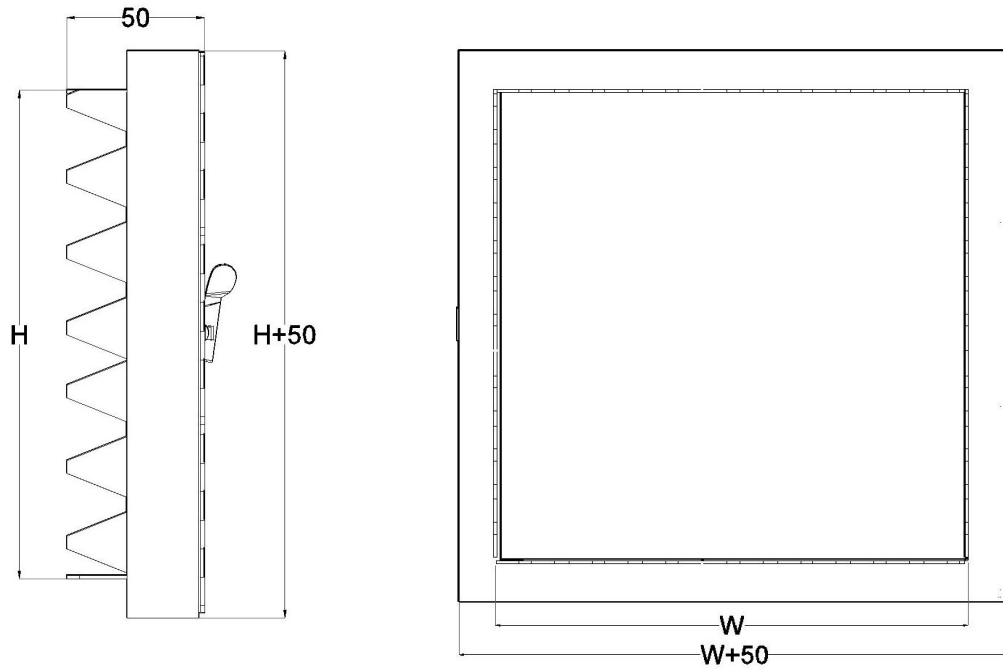


- Constructed from galvanized steel sheet **G90**, with a thickness of (**gauge 20**).
- Cam lock on both sides for fully removable door (standard will be with one cam lock on each side and the number of cam lock will increase based on the size ).
- Fiber Glass with a thickness of (**25 mm**) and a density of (**24 Kg/m<sup>3</sup>**) for noise absorption, other thicknesses and densities are available upon request.
- Rubber gasket can be fixed on the edges upon request.

## DUCT ACCESS DOORS

### ANA DAD Dimensions and Installation:

#### Dimensions



#### Installation



