



شركة مصنع عالم الناصريه المحدودة
AL NASSERIAH WORLD FACTORY COMPANY LTD

DISC VALVE



ANA Disc Valve :

Is designed for exhaust air in bathrooms and suitable for ventilation and air conditioning with low noise level even at high velocities.



ANA Disc Valve Construction

Frame :

Constructed from Galvanized steel in a round shaped with foam gasket.

Core :

Constructed from Galvanized steel with screw and nut for air control.

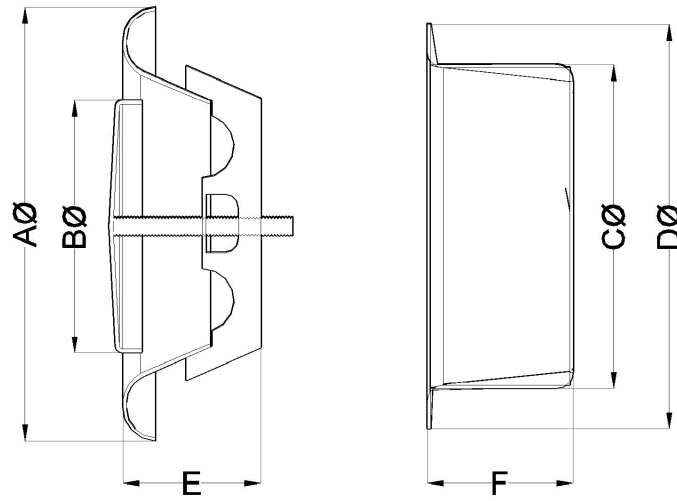
Finish :

Electrostatic powder coating is used for Disc Valve with standard white color for the Frame and the Cores **(RAL 9016)** and other colors are available upon request.

DISC VALVE

ANA Disc Valve Dimensions

Model : NDV



Dimensions (mm)

SIZE	A	B	C	D	E	F
100 Ø	138	75	98	124	40	40
125 Ø	164	100	123	150	50	45
150 Ø	202	120	148	186	50	45
200 Ø	248	158	198	225	65	45

DISC VALVE

ANA Disc Valve Performance Data

	Nominal Size (mm)				Air Flow								
	100	125	150	200	m ³ /h	20	40	60	80	100	150	200	300
Opening Distance (mm)					Pa	90							
					NC	-							
	-9				Pa	45	170						
	-9				NC	-	20						
	-6	-12			Pa	20	80	200	300				
	-6	-12			NC	-	12	25	28				
	-3			-20	Pa	10	50	120	200				
	-3			-20	NC		-	17	26				
		-6			Pa		30	70	120	200			
		-6			NC		-	12	20	28			
	6				Pa		20	40	80	130			
	6				NC		-	-	15	22			
		0		15	Pa		15	30	60	80	200		
		0		15	NC		-	-	11	18	30		
	12	6			Pa		10	20	40	60	150		
	12	6			NC		-	-	-	13	27		
			0		Pa			15	25	40	90	170	
			0		NC			-	-	9	21	30	
		12	6		Pa				15	25	60	100	220
		12	6		NC				-	-	15	25	31
			12	0	Pa					15	30	60	150
			12	0	NC					-	10	18	30

Data Key :

- Air Flow : (m³/h)
- Pressure drop : Pascal (pa)
- NC : Noise Criteria at 10db attenuation.

ANA Disc Valve Installation

