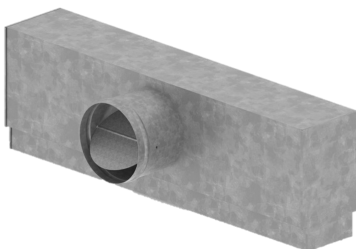
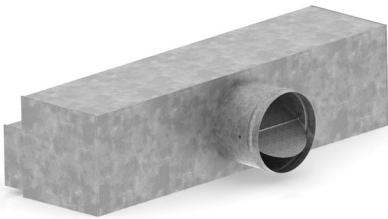
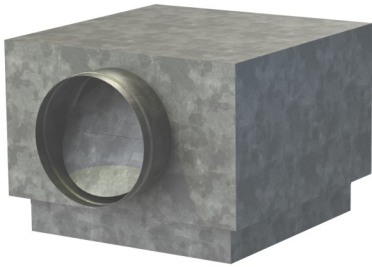




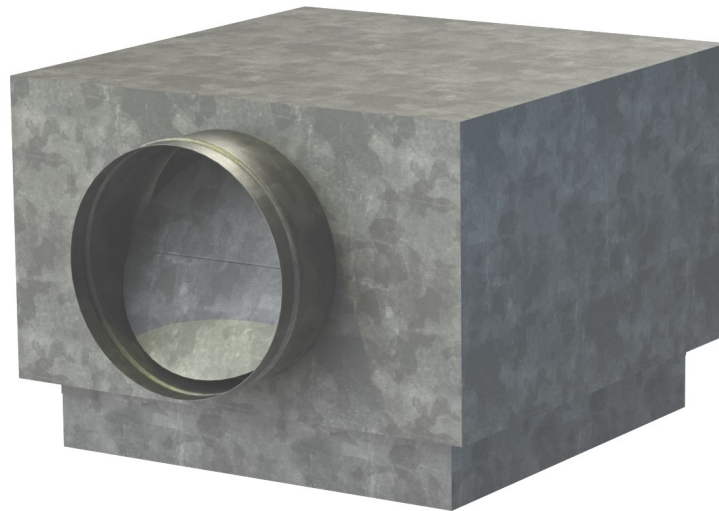
شركة مصنع عالم الناصريه المحدودة  
AL NASSERIAH WORLD FACTORY COMPANY LTD

## PLENUM BOXES



### **ANA Plenum Box :**

Is used in the last stage before discharging the supply air, so it is designed to insure equal distribution of air through the air outlet. Insulated by fiber glass to absorb a good amount of noise and well sealed to avoid leakage.



### **ANA PB Construction**

#### **Case :**

Constructed from galvanized steel sheet **G90**, with a thickness of (**gauge 24**), round inlet with several sizes to fit the flexible duct, the inlet can be collar or with a spigot to control the air volume operated by internal hand quadrant. Well sealed by anti-microbial sealant to avoid leakage.

#### **Insulation :**

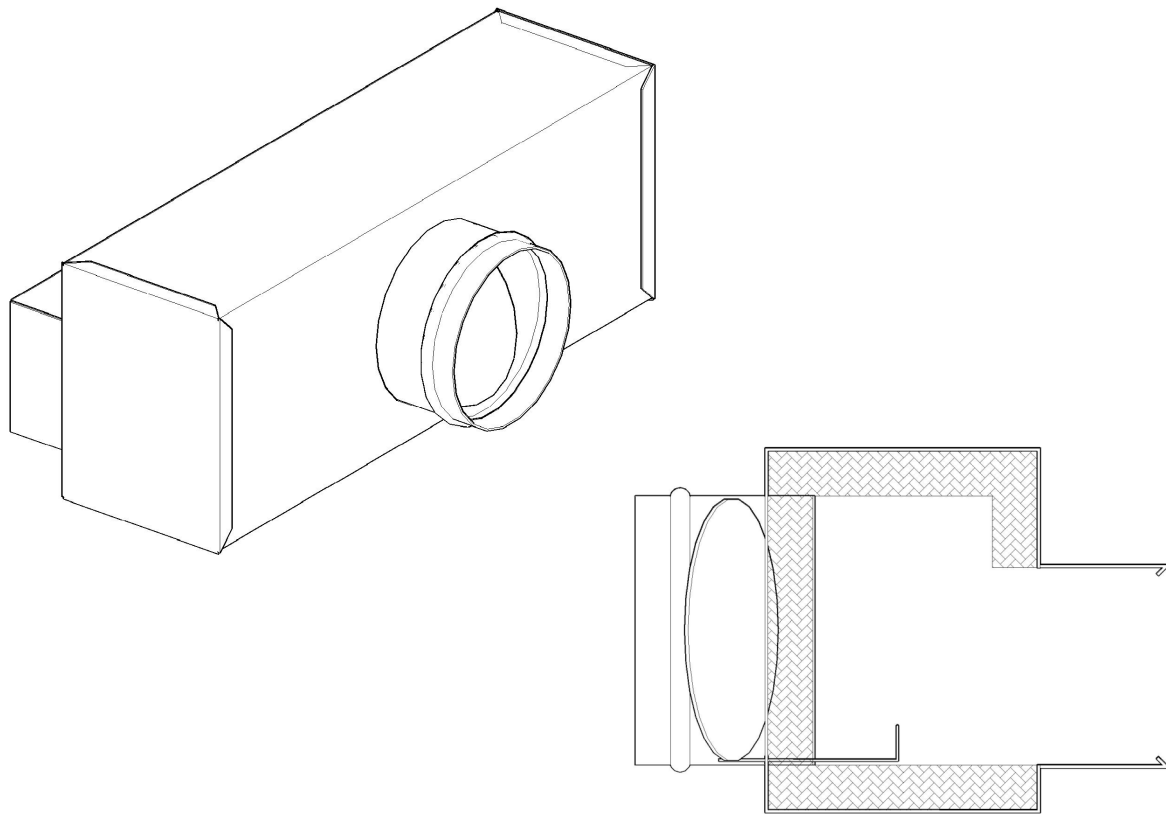
Fiber Glass with a thickness of (**25 mm**) and a density of (**24 Kg/m<sup>3</sup>**) for noise absorption, other thicknesses and densities are available. For hygiene purposes black rubber is used for insulation but has less capability of absorbing noise, thicknesses available is (**6.5, 9, 19 and 25 mm**).

#### **Finish :**

Mill galvanized steel **G90**.

### ANA Plenum Box for Linear Bar Grille

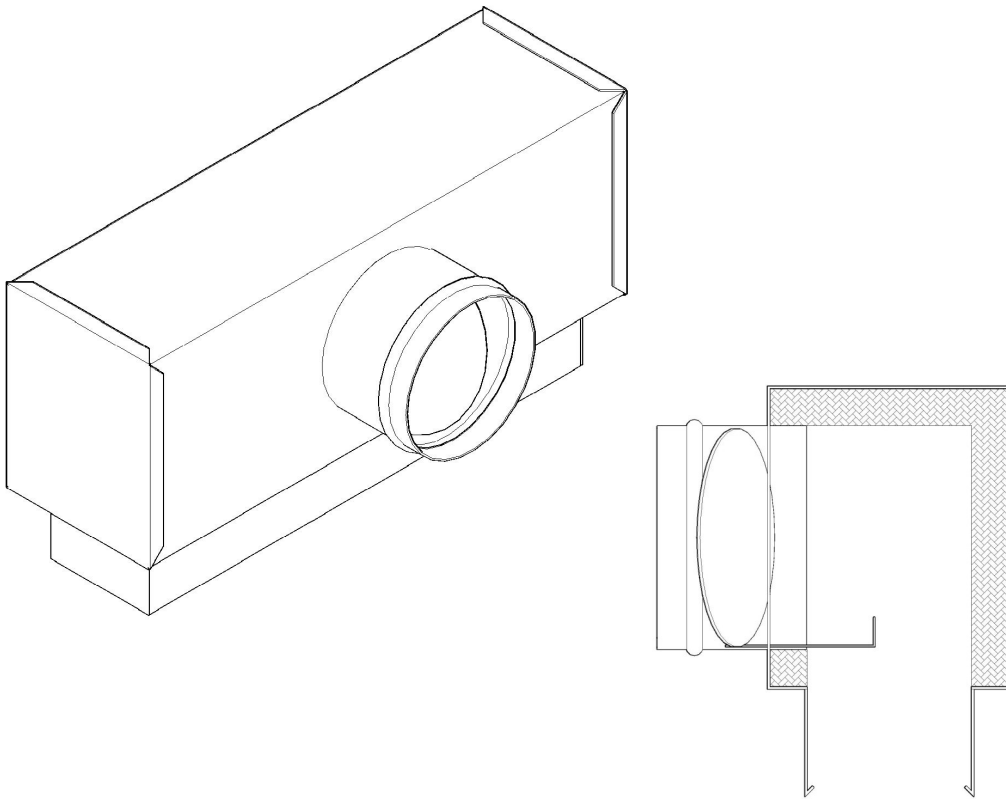
Model : NPBLB



- Case is constructed from galvanized steel sheet **G90**, with a thickness of **(0.6 mm - gauge 24)**.
- Fiber Glass with a thickness of **(25 mm)** and a density of **(24 Kg/m<sup>3</sup>)** for noise absorption and other thicknesses and densities are available.
- Made for Linear Bar Grille, the outlet matches the sizes of LBG and the inlet is parallel to the outlet (Can be made perpendicular upon request).
- Inlet can be collar (always open), or it can be spigot (built-in volume control damper) operated by lever.
- Perforated sheet can be added to the plenum box for high turbulence air flow situations upon request.

### ANA Plenum Box for Linear Slot Diffuser

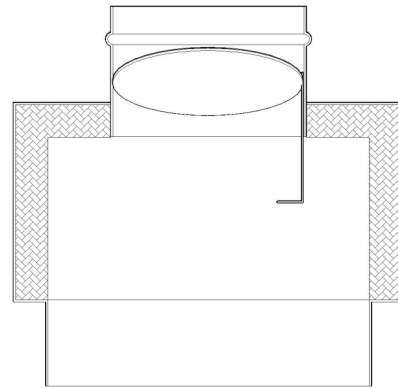
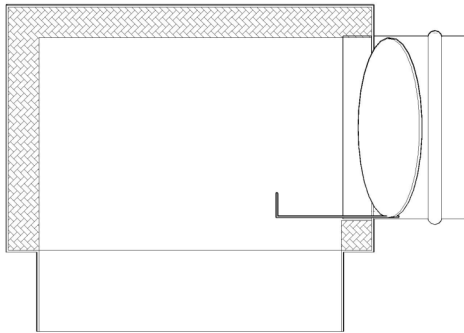
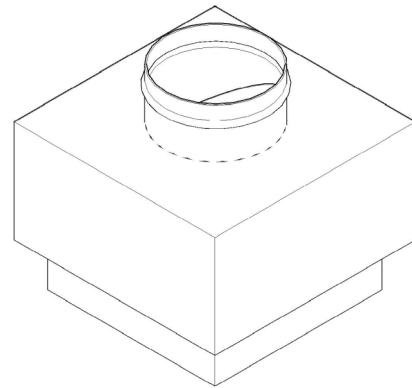
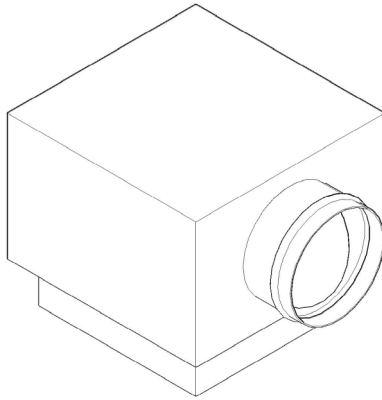
Model : NPBLS



- Case is constructed from galvanized steel sheet **G90**, with a thickness of **(0.6 mm - gauge 24)**.
- Fiber Glass with a thickness of **(25 mm)** and a density of **(24 Kg/m<sup>3</sup>)** for noise absorption and other thicknesses and densities are available.
- Made for Linear Slot Diffuser, the outlet matches the sizes of LSD and the inlet is perpendicular to the outlet (Can be made parallel upon request).
- Inlet can be collar (always open), or it can be spigot (built-in volume control damper) operated by lever.
- Perforated sheet can be added to the plenum box for high turbulence air flow situations upon request.

## ANA Plenum Box for Square Ceiling Diffuser

Model : NPBCD



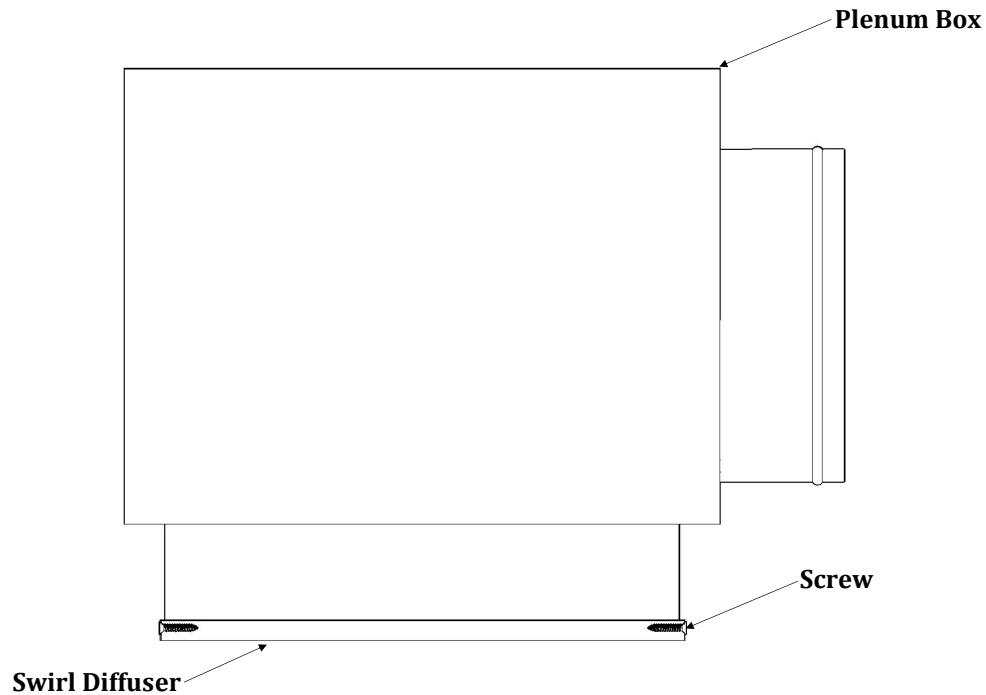
NPBCD-S

NPBCD-T

- Case is constructed from galvanized steel sheet **G90**, with a thickness of **(0.6 mm - gauge 24)**.
- Fiber Glass with a thickness of **(25 mm)** and a density of **(24 Kg/m<sup>3</sup>)** for noise absorption and other thicknesses and densities are available.
- Made for Square Ceiling Diffuser, the outlet matches the sizes of CD and the inlet is perpendicular to the outlet (Can be made parallel upon request).
- Inlet can be collar (always open), or it can be spigot (built-in volume control damper) operated by lever.
- Perforated sheet can be added to the plenum box for high turbulence air flow situations upon request.

### ANA Plenum Box for Swirl Ceiling Diffuser

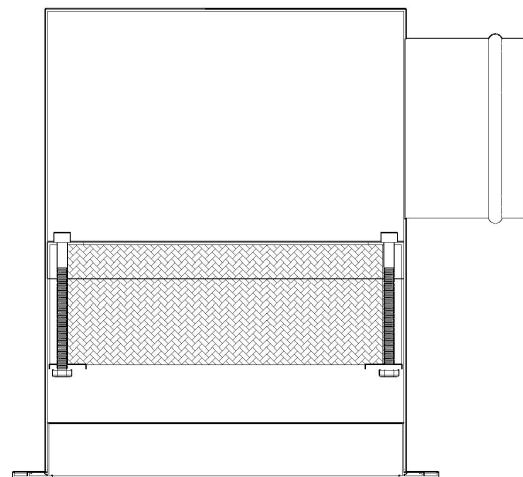
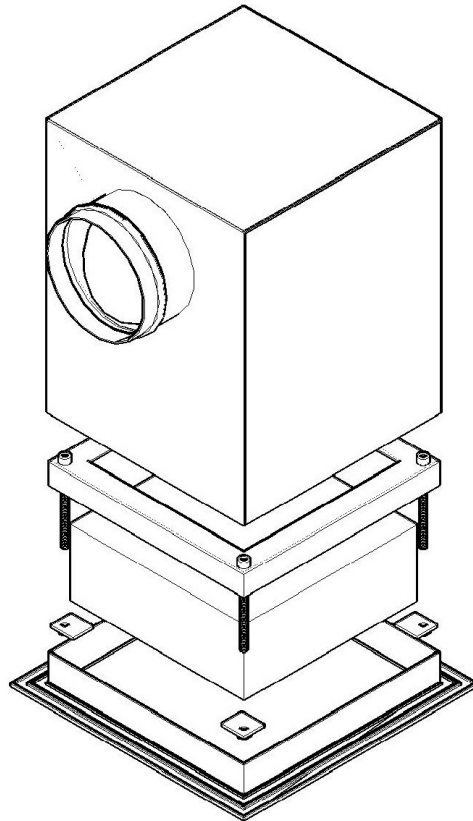
Model : NPBSD



- Case is constructed from galvanized steel sheet **G90**, with a thickness of **(0.6 mm - gauge 24)**.
- Fiber Glass with a thickness of **(25 mm)** and a density of **(24 Kg/m<sup>3</sup>)** for noise absorption and other thicknesses and densities are available.
- Made for Swirl Diffuser, the outlet matches the sizes of SWD and the inlet is perpendicular to the outlet (Can be made parallel upon request).
- Inlet can be collar (always open), or it can be spigot (built-in volume control damper) operated by lever.
- Perforated sheet can be added to the plenum box for high turbulence air flow situations upon request.

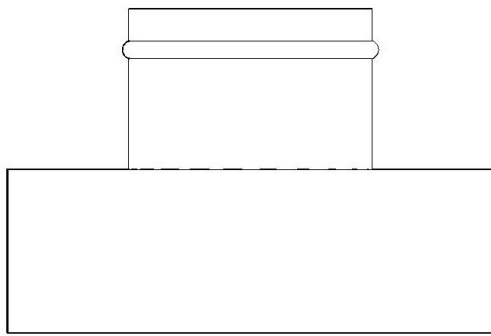
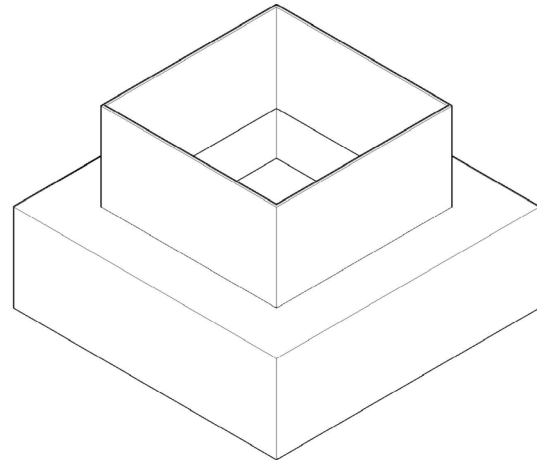
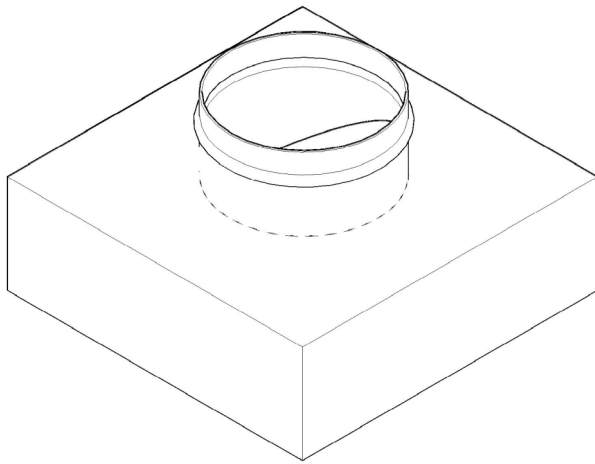
### ANA Plenum Box With HEPA Filter Unit

Model : NHFU

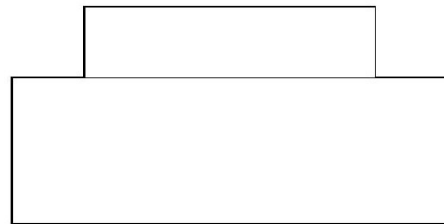


- Case is constructed from galvanized steel sheet **G90** or Stainless Steel **316** and **304**, with a thickness of **(1.2 mm - gauge )**.
- HEPA Filter (High Efficiency Particulate Air) Made for hygienic uses to clear the supply air from 99.97% of all harmful particles and microbes, With a Thickness of **(15 or 30 cm)** upon request.
- Inlet can be collar (always open), or it can be spigot (built-in volume control damper) operated by lever.
- Perforated Ceiling Diffuser can be added to the Unit upon request.

## ANA Adaptors :



NSRA



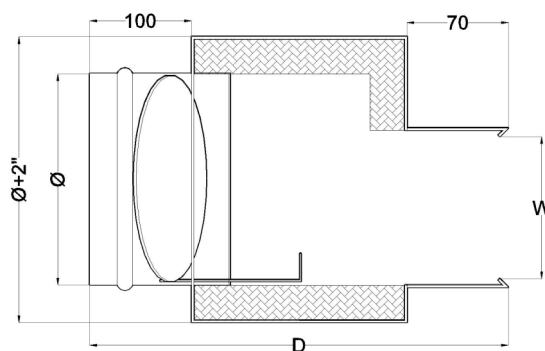
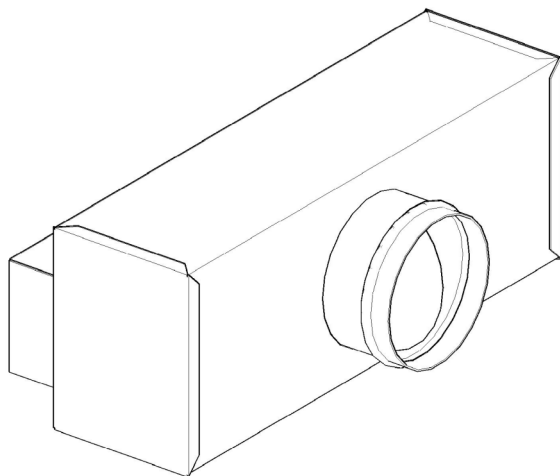
NSSA

- Case is constructed from galvanized steel sheet **G90**, with a thickness of **(0.6 mm - gauge 24)** with **RAL 9005** (black color) as standard.
- Can be made as square to round adaptor or square to square adaptor, the sizes should be determined by the customer.
- Rubber Insulation can be added upon request **( 6.5, 9, 19 and 25 mm)**.
- It can be used to connect to different sizes or shapes ducts and can be used to connect air outlets with different type of ducts.

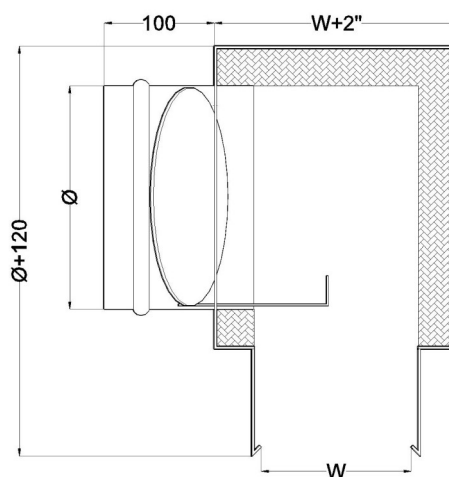
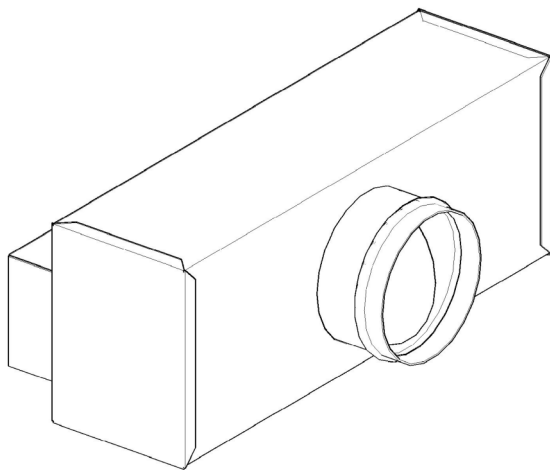


## PLENUM BOXES

### ANA Plenum Box Dimensions :



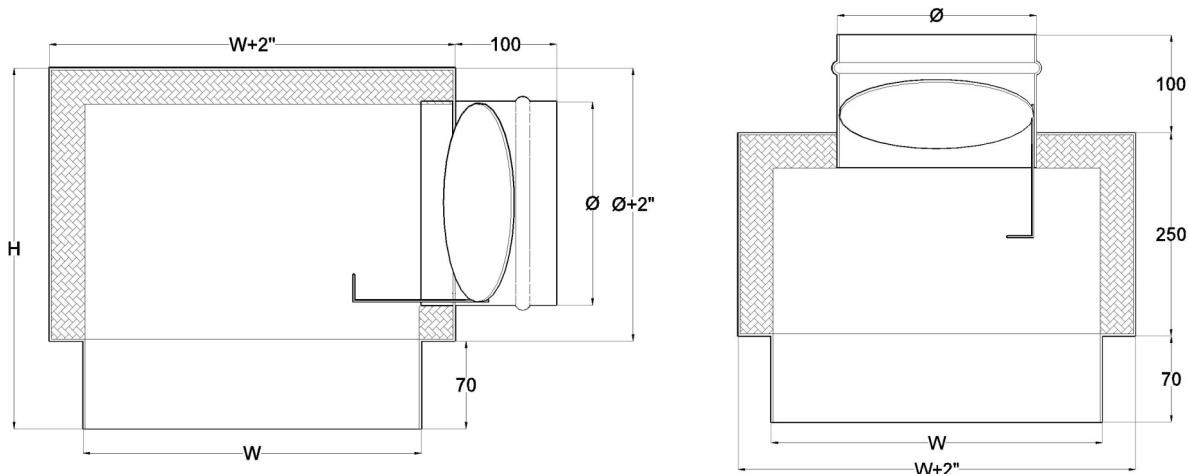
### PLENUM BOX FOR LINEAR BAR GRILLE - NPBLB



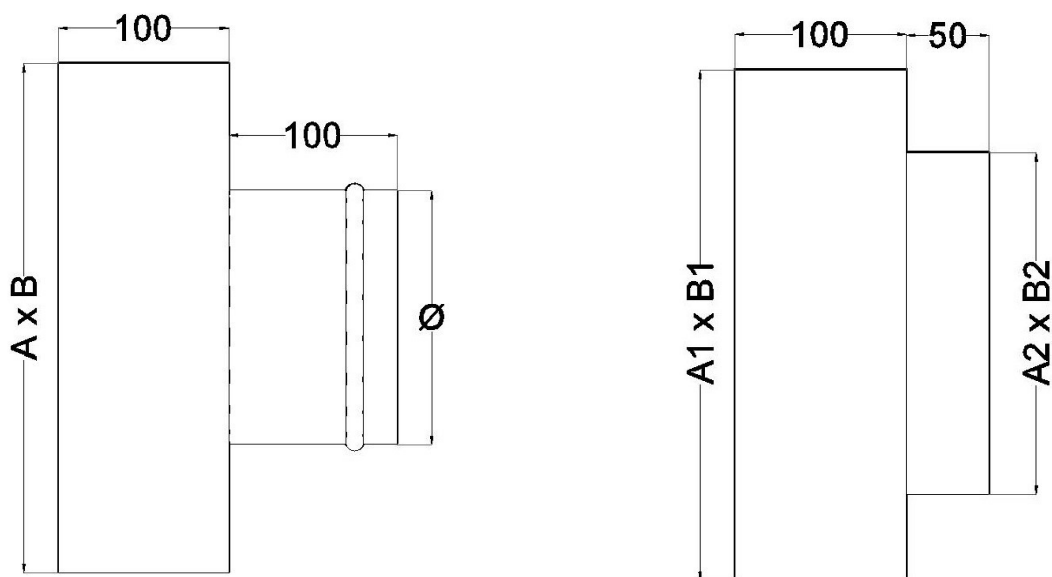
### PLENUM BOX FOR LINEAR SLOT DIFFUSER - NPBLS

## PLENUM BOXES

### ANA Plenum Box Dimensions :



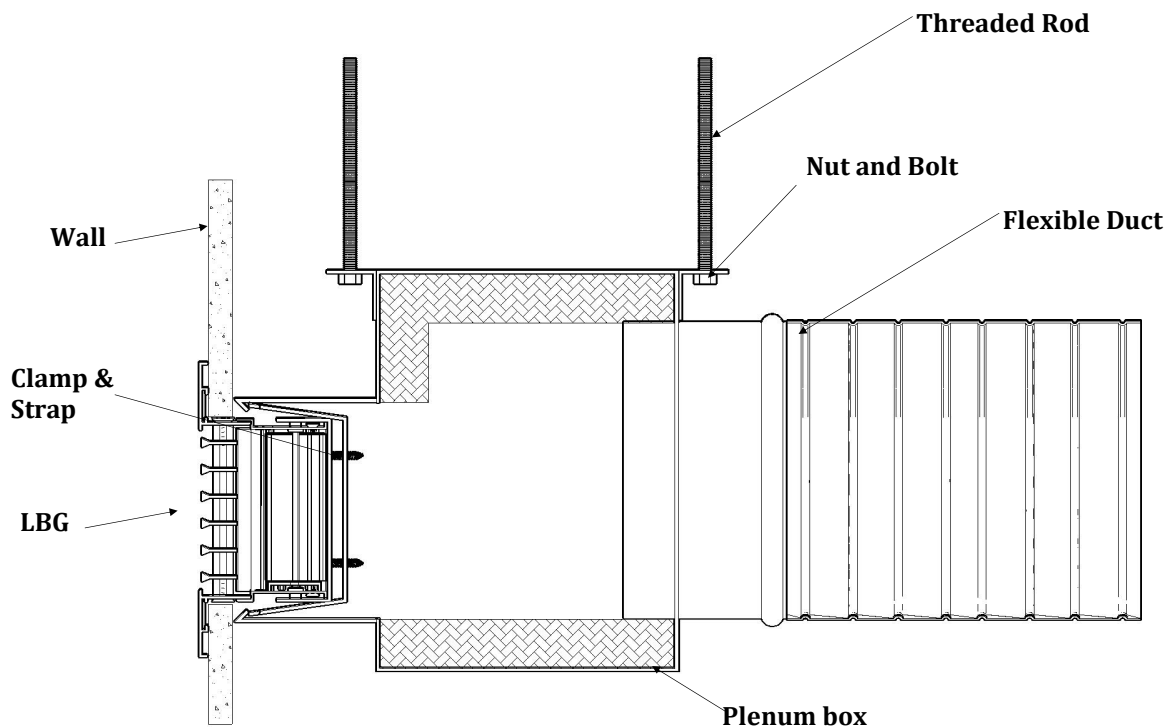
### PLENUM BOX FOR SQUARE CEILING DIFFUSER - NPBCD



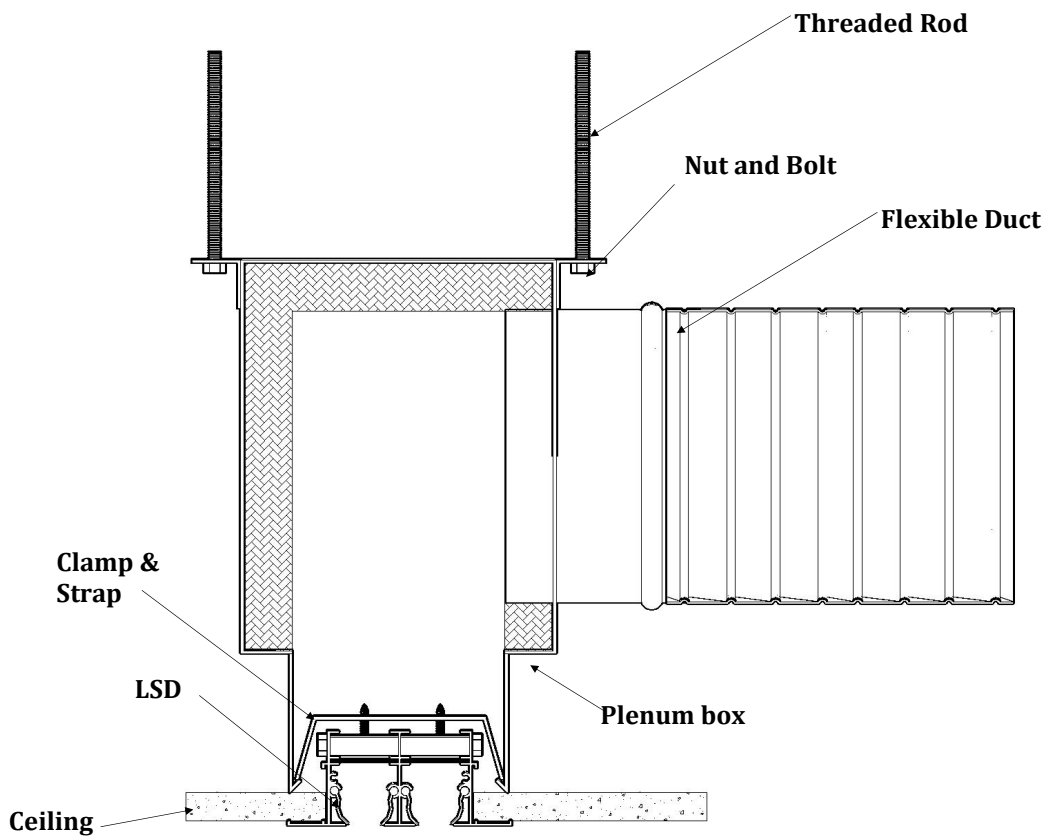
### ADAPTORS - NSRA & NSSA

## PLENUM BOXES

### ANA Plenum Box Installation :



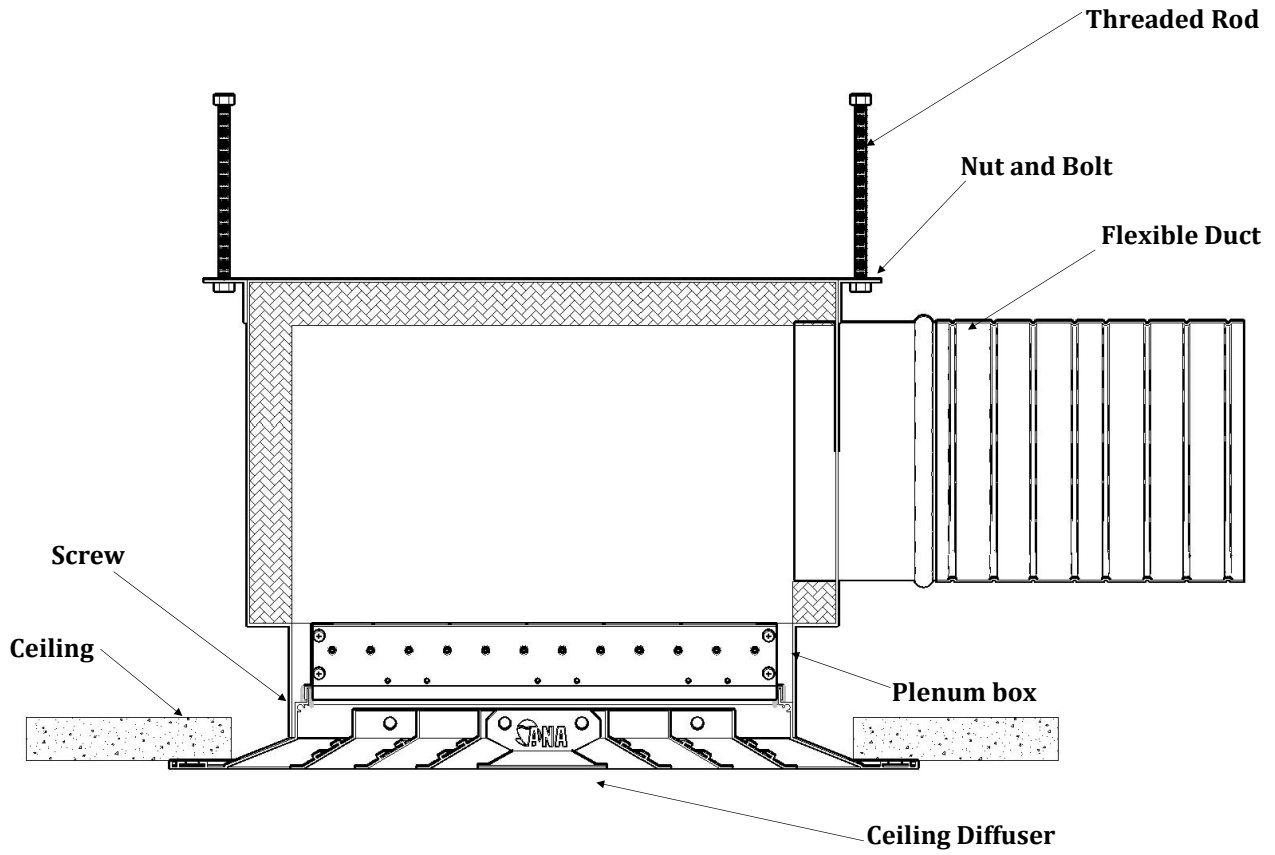
**PLENUM BOX FOR LINEAR BAR GRILLE**



**PLENUM BOX FOR LINEAR SLOT DIFFUSER**

## PLENUM BOXES

### ANA Plenum Box Installation :



PLENUM BOX FOR SQUARE CEILING DIFFUSER

NOTES:

Lined area for notes with horizontal lines.