



شركة مصنع عالم الناصريه المحدودة
AL NASSERIAH WORLD FACTORY COMPANY LTD

FIRE & SMOKE DAMPERS



ANA Fire & Smoke Damper :

Fire & smoke dampers are designed to protect internal HVAC units from excessive heat and to reduce fire and smoke spread by blocking the fire and the smoke from traveling to other duct branches.



ANA FSD Construction

Frame :

Constructed from galvanized steel sheet **G90**, with a thickness of **(gauge 16)**, with opening for the bushes, stainless steel jamb seal and a stopper (landing angle).

Blades :

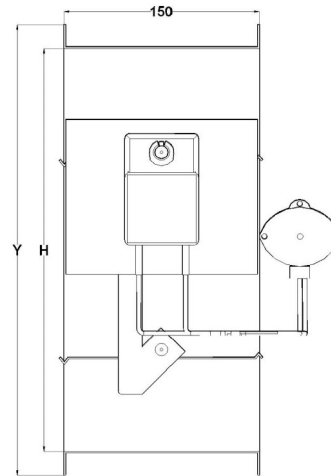
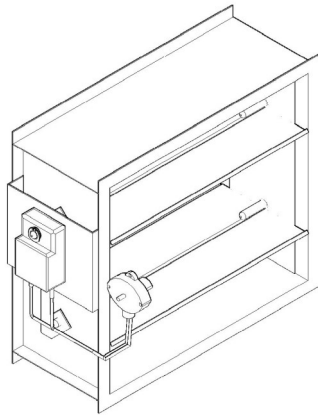
Constructed from Galvanized Steel **G90**, with a thickness of **(gauge 16)** attached with a shaft and connected to the body with bronze bushings for smoother operation and more reliable against fire.

Finish :

Mill galvanized steel **G90**.

ANA Flanged Fire & Smoke Damper

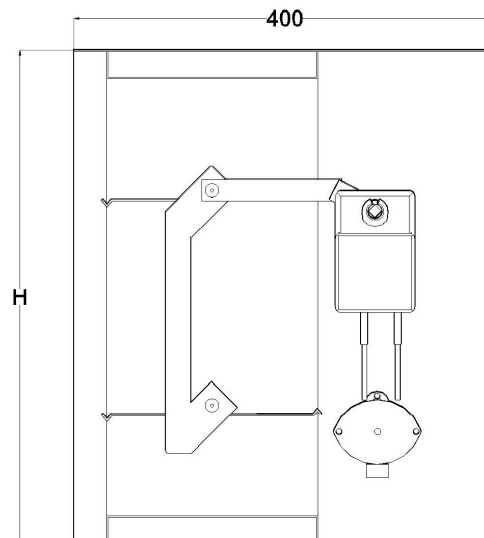
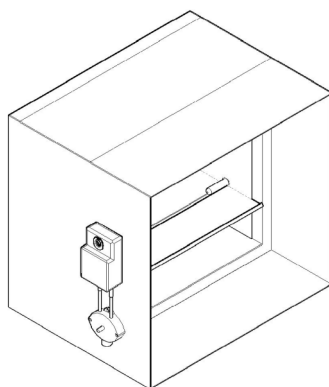
Model : NMFSD-F



- Case and Blades are made of galvanized steel grade **90** with a (**gauge 16**) thickness .
- Stainless Steel jamb seal and a stopper (landing angle) to block the fire and the smoke.
- **3-V** shaped blades to insure full closer attached to the Case with bronze bushings for smooth and reliable operation against fire, and a (**25 mm**) flange.
- Siemens actuator GND326.1U/F or GND126.1U/F (24 / 230V) and Electronic Fusible Link ASK79.165

ANA Sleeve Fire & Smoke Damper

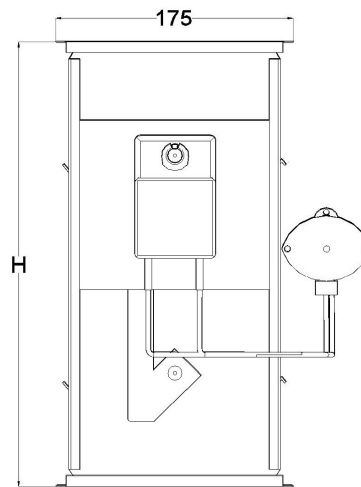
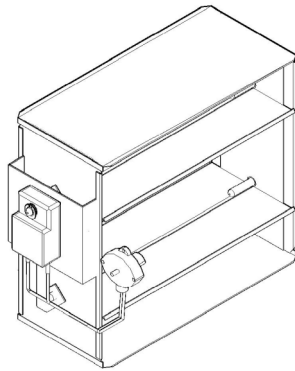
Model : NMFSD-S



- Case and Blades are made of galvanized steel grade **90** with a (**gauge 16**) thickness .
- Stainless Steel jamb seal and a stopper (landing angle) to block the fire and the smoke.
- **3-V** shaped blades to insure full closer attached to the Case with bronze bushings for smooth and reliable operation against fire, and a (**40 cm**) sleeve.
- Siemens actuator GND326.1U/F or GND126.1U/F (24 / 230V) and Electronic Fusible Link ASK79.165

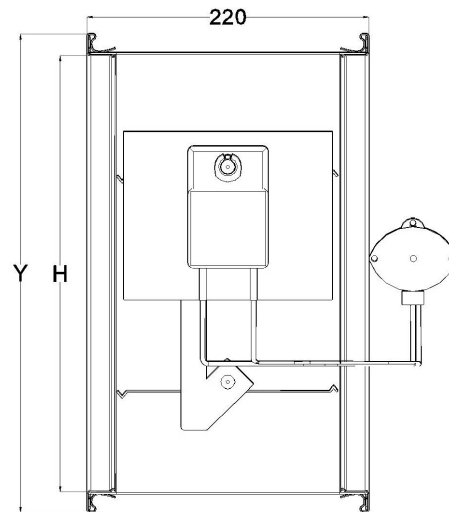
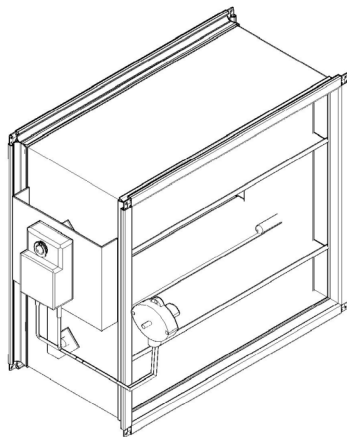
ANA C&S - Fire & Smoke Damper

Model : NMFSD-C&S



ANA Duct Mate Flange - Fire & Smoke Damper

Model : NMFSD-D



- Case and Blades are made of galvanized steel grade **90** with a (**gauge 16**) thickness .
- Stainless Steel jamb seal and a stopper (landing angle) to block the fire and the smoke.
- **3-V** shaped blades to insure full closer attached to the Case with bronze bushings for smooth and reliable operation against fire, round or oval adapter is added to both side of the case.
- Siemens actuator GND326.1U/F or GND126.1U/F (24 / 230V) and Electronic Fusible Link ASK79.165
- Spigot, Oval Inlet connections are available upon request.

